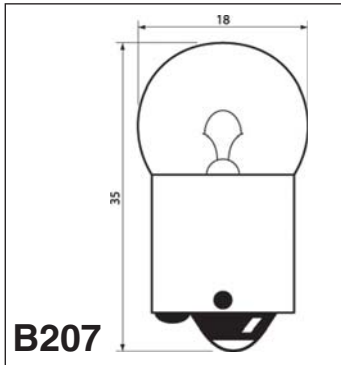
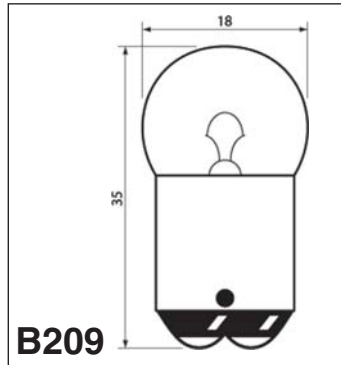


CAR BULBS



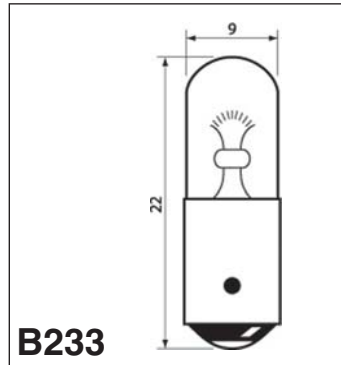
B207

Volts	Watts	Fit
12	5	SCC
Cap	Application	
Ba15S	Side & Tail	



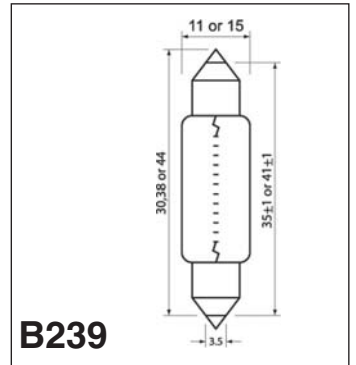
B209

Volts	Watts	Fit
12	5	SBC
Cap	Application	
Ba15D	Side & Tail	



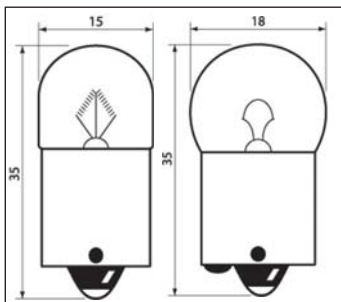
B233

Volts	Watts	Fit
12	4	MCC
Cap	Application	
Ba9S	Signal Lamp	



B239

Volts	Watts	Fit
12	5	Festoon
Cap	Application	
S8.5D	Festoon 11 X 38	



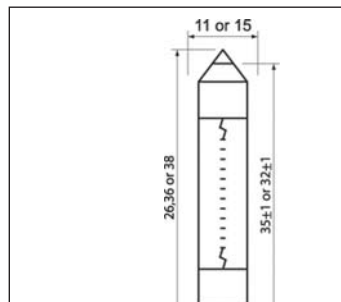
B245

Volts	Watts	Fit
12	10	SCC
Cap	Application	
Ba15S	Side & Tail	

Pic not on file

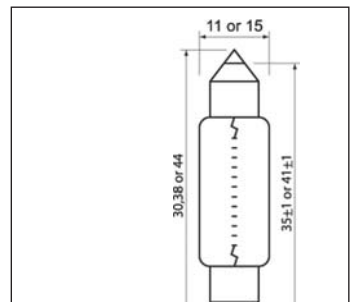
B265

Volts	Watts	Fit
12	10	
Cap	Application	
SV8.5	0	



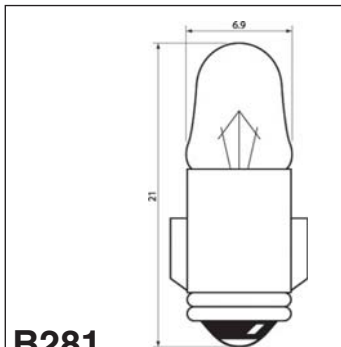
B268

Volts	Watts	Fit
12	3	Festoon
Cap	Application	
S8.5D	Festoon 6 X 36	



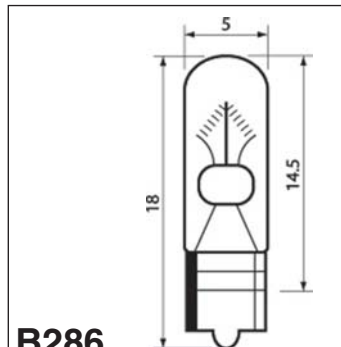
B269

Volts	Watts	Fit
12	10	Festoon
Cap	Application	
S8.5D	Festoon 11 X 30	



B281

Volts	Watts	Fit
12	2	Signal Lamp
Cap	Application	
Ba7S	Indicator & Panel	



B286

Volts	Watts	Fit
12	1.2	Capless
Cap	Application	
W2X4.6D	Indicator & Panel	

Pic not on file

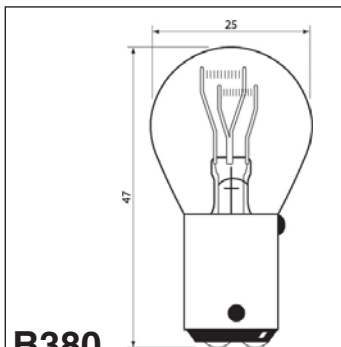
B300

Volts	Watts	Fit
12	21	SBC
Cap	Application	
Bau155	12V 21W Amber	

Pic not on file

B335

Volts	Watts	Fit
12	21	SBC
Cap	Application	
Ba15D	Stop/Flasher	



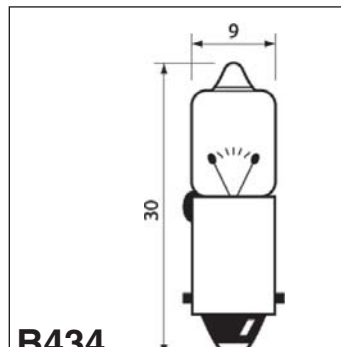
B380

Volts	Watts	Fit
12	21/5	OSP
Cap	Application	
Bay15D	Stop & Tail	

Pic not on file

B382

Volts	Watts	Fit
12	21	SCC
Cap	Application	
Ba15S	Stop/Flasher	

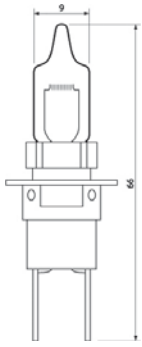


B434

Volts	Watts	Fit
12	12	H6W
Cap	Application	
Bax9S	Side Lamp	

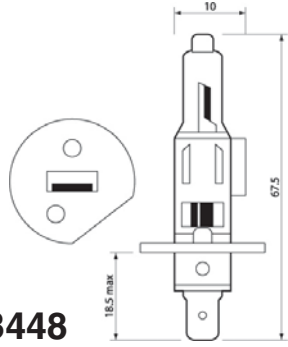
Logo or Pic

CAR BULBS



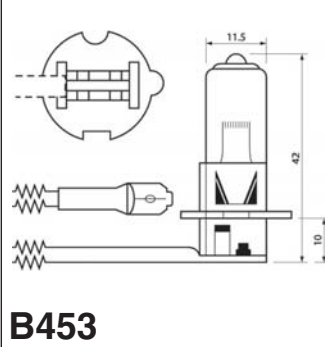
B447

Volts	Watts	Fit
12	55	H3C
Cap	Application	
H3C	Accessory Bulb	



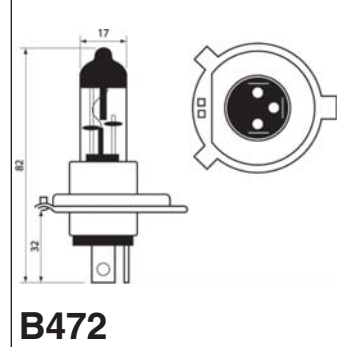
B448

Volts	Watts	Fit
12	55	H1
Cap	Application	
P14.5S	Halogen Headlamp	



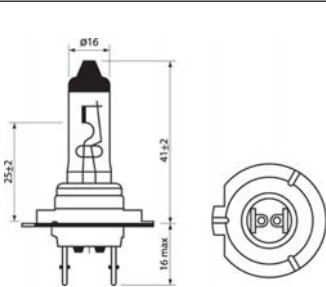
B453

Volts	Watts	Fit
12	55	H3
Cap	Application	
Pk22S	Halogen Headlamp	



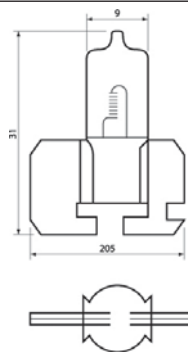
B472

Volts	Watts	Fit
12	60/55	H4
Cap	Application	
P43T	Halogen Headlamp	



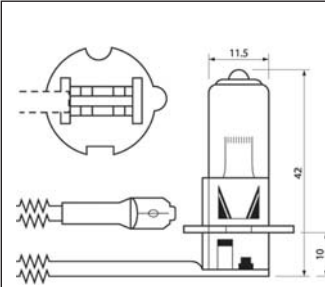
B477

Volts	Watts	Fit
12	55	H7
Cap	Application	
Px26D	Halogen Headlamp	



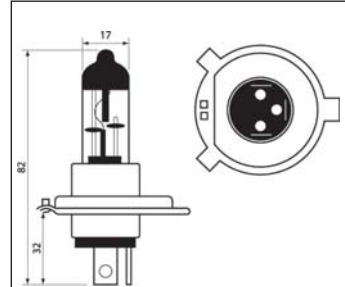
B480

Volts	Watts	Fit
12	100	H2
Cap	Application	
X511	Halogen Headlamp	



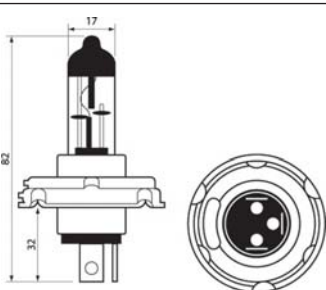
B483

Volts	Watts	Fit
12	100	H3
Cap	Application	
Pk22S	Halogen Headlamp	



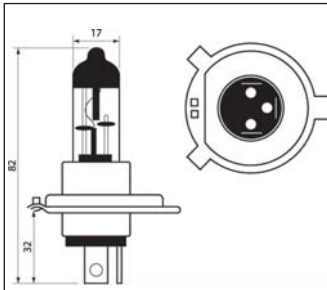
B484

Volts	Watts	Fit
12	100/80	H4
Cap	Application	
P43T	Halogen Headlamp	



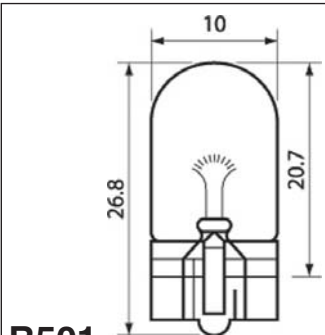
B485

Volts	Watts	Fit
12	100/80	H4
Cap	Application	
P45T	Halogen Headlamp	



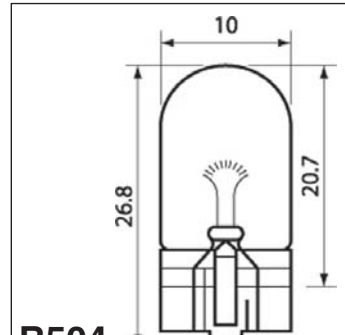
B490

Volts	Watts	Fit
12	130/90	H4
Cap	Application	
P43T	Halogen Headlamp	



B501

Volts	Watts	Fit
12	5	Capless
Cap	Application	
W2.1X9.5D	Side & Tail	



B504

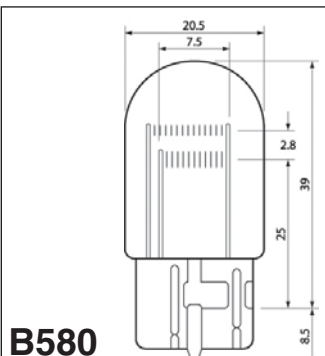
Volts	Watts	Fit
12	3	Capless
Cap	Application	
W2.1X9.5D	Indicator & Panel	

Logo or Pic

Pic not on file

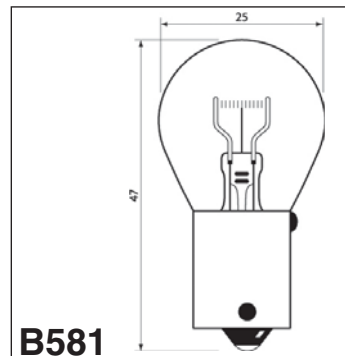
B566

Volts	Watts	Fit
12	21 4	OSP
Cap	Application	
Baz15D	Fog & Tail	



B580

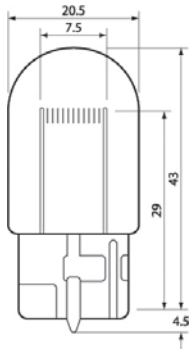
Volts	Watts	Fit
12	21 5	Capless
Cap	Application	
W3X16Q	Stop & Tail	



B581

Volts	Watts	Fit
12	21	OSP
Cap	Application	
Bau15S	FLSH (Amber)	

CAR BULBS



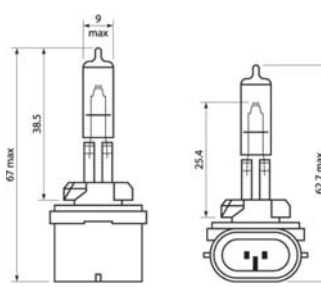
B582

Volts	Watts	Fit
12	21	Capless
Cap	Application	
W3X16Q	Stop & Tail	

Pic not on file

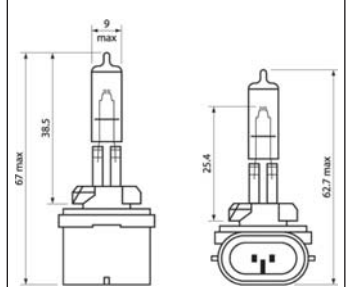
B711

Volts	Watts	Fit
12	55	H11
Cap	Application	
Pgj19	Halogen Headlamp	



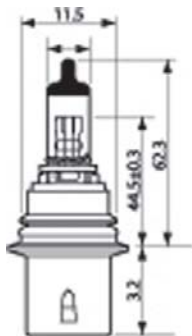
B880

Volts	Watts	Fit
12	27	H27/W
Cap	Application	
Pgj13	Halogen Headlamp	



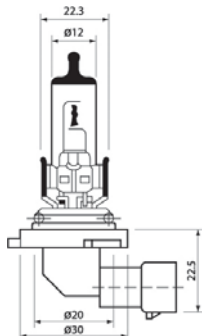
B881

Volts	Watts	Fit
12	27	H27W/2
Cap	Application	
Pgj13	Halogen Headlamp	



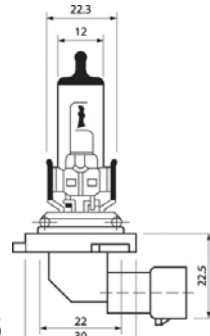
B9004

Volts	Watts	Fit
12	65 45	Hb1
Cap	Application	
P29T	Halogen Headlamp	



B9005

Volts	Watts	Fit
12	60	Hb3
Cap	Application	
P20D	Halogen Headlamp	



B9006

Volts	Watts	Fit
12		
Cap	Application	
	Halogen Headlamp	